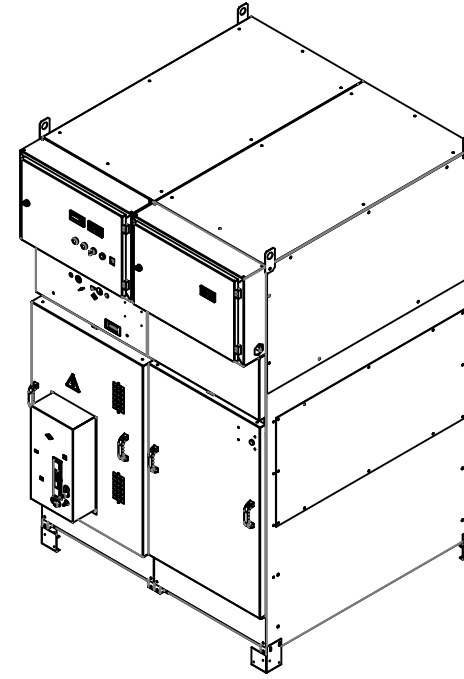
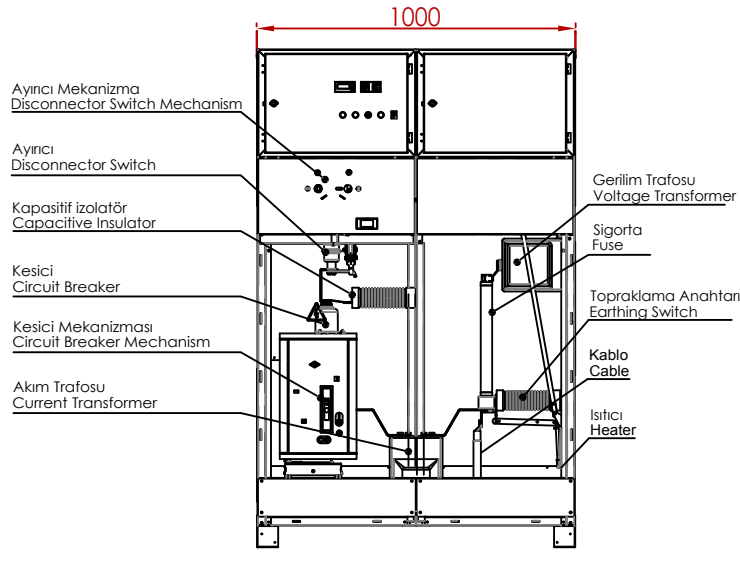
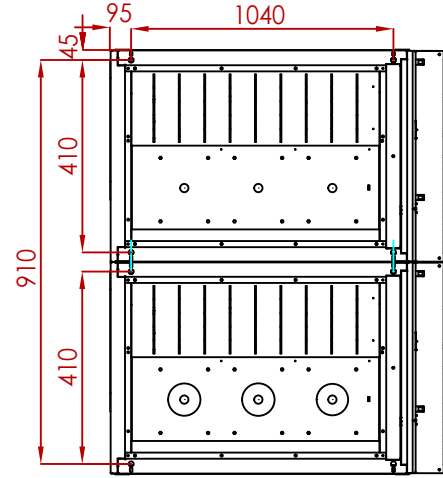


Kesicili Otoproduktör Fonksiyonel Hücresi  
Current & Voltage Measurement with Circuit Breaker Cubicle



TEK HAT ŞEMASI  
SINGLE LINE DIAGRAM

